

C. Rail Installation

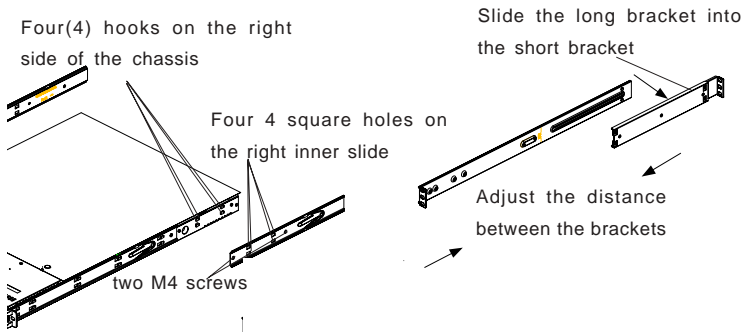
Rail Packaging includes:

- *One pair of inner slides to be installed on the chassis,
- *One pair of outer slides to be installed in the rack,
- *Two pairs of short brackets to be used on the front side of the outer slides (Note: One pair of short brackets include screw threads, and the other pair do not. Use the only pair that will fit into your rack.),
- *One pair of long brackets to be used on the rear side of the outer slides

C-1 Installing Inner Slides

Procedures

1. Locate the right inner slide, (-the slide that will be used on the right side of chassis when facing the front panel of the chassis).
2. Align the four(4) square holes on the right inner slide against the hooks on the right side of the chassis as show below on the left.
3. Securely attach the slide to the chassis with two M4 flat head screws and repeat the steps 1-3 to install the left inner slide to the left side of the chassis.



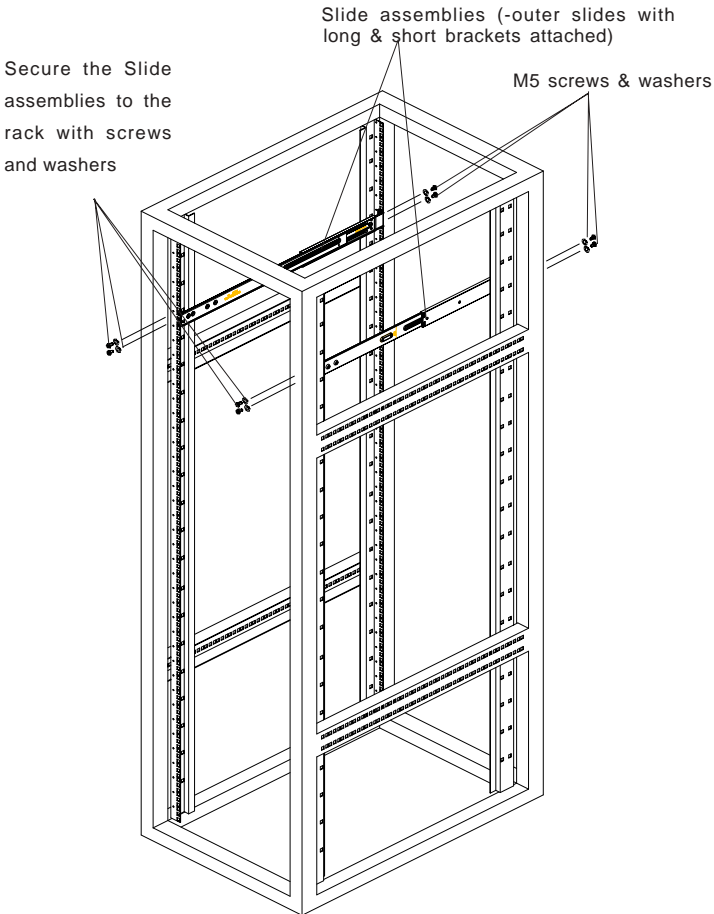
C-2 Installing Outer Slides

1. Measure the distance from the front rail of the rack to the rear rail of the rack.
2. Attach a short bracket to the rear side of the right outer slide, and a long bracket to the front side of the right outer slide as shown above on the right.
3. Adjust the short and long brackets to the proper distance so that the chassis can snugly fit into the rack.
4. Secure the slides to the cabinet with screws. Repeat steps 1-4 for the left outer slide.

C-3 Installing the Slide Assemblies to the Rack

Procedures

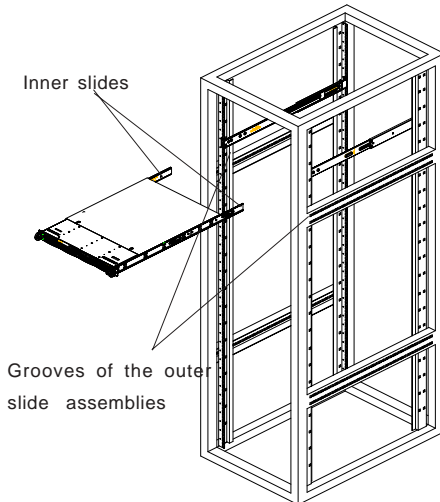
1. After you have installed the short and long brackets to the outer slides, you are ready to install the whole slide assemblies (-outer slides with short and long brackets attached) to the rack. (See the previous page.)
2. Use M5 screws and washers to secure the slide assemblies into the rack as shown below:



D. Installing the Chassis into the Rack

Procedures

1. Push the inner slides, which are attached to the chassis, into the grooves of the outer slide assemblies that are installed in the rack as shown below:



2. Push the chassis all the way to the back of the outer slide assemblies as shown below: (The plastic bezel is not included in the package.)

